



*The Drip-Dry Classic*

## **DDC Small**

*Dear Customer,*

*Thank You for choosing the Drip-Dry Classic by Drip-Dry and  
Manor Industries l.t.d !*

*We hope the DDC will be of great help in your kitchen and serve you  
well for many years to come as it has for thousands of house-holds all over the  
world.*

**Contact for orders and support:**

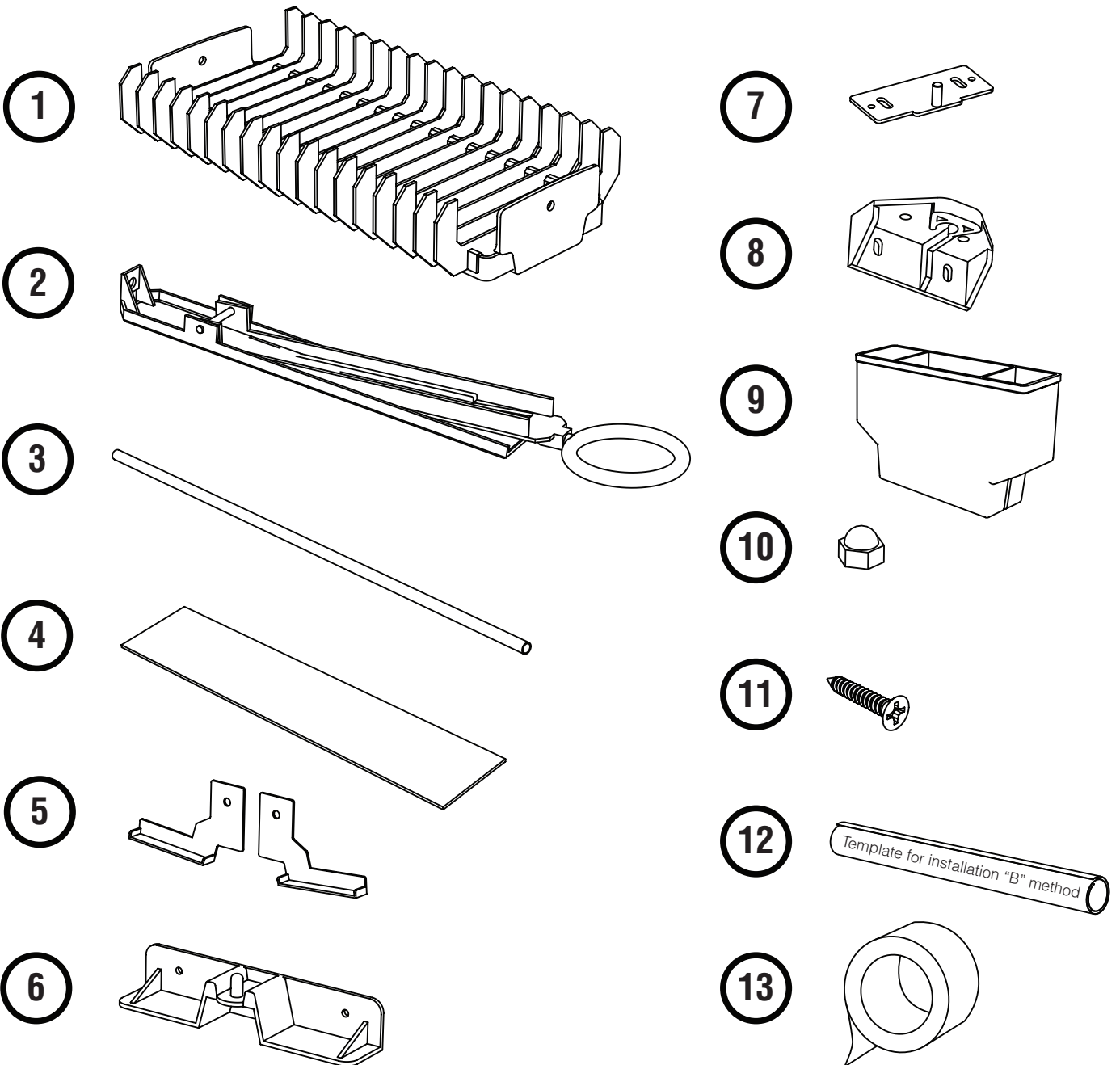
The BLH Corp. D/B/A DripDry  
27 Wayne Avenue  
Suffern, NY 10901  
USA  
Tel. 646-894-1000  
sales@thedripdry.com



# The Drip Dry Classic - DDC Small

## List of parts

Part number	Quantity	Part description
1	X2	Dish-rack shelves.
2	X2	Arms for elevator mechanism.
3	X2	Aluminium pipes (attaches to bottom and top connectors).
4	X1	Drip-tray.
5	X2	Feet connectors for drip-tray (Left and Right).
6	X2	Bottom-connectors for installation "A".
7	X2	Bottom-connectors for installation "B".
8	x2	"A" & "B" top connectors for aluminum pipes
9	X1	Cutlery caddy
10	X4	1/4 " inch Dome-nuts. For connecting the dish-rack-shelves to the Arms.
11	X10	Screws for bottom and top connectors to cabinet surfaces.
12	X1	Template for installation "B" method.
13	X1	Edge-tape.
14	X1	User-Manual.





# The Drip Dry Classic - DDC Small

## Safety:

Cabinets that require modifications, such as sawing, use of power-tools, should only be performed by experienced craftsmen / professional carpenters. Protect your eyes and hands with safety goggles and gloves. Cabinets are always boxed shaped but a leveler is needed throughout installation to ensure precise alignment so weight is evenly distributed during usage.

Additional support may also be carpentered in when mounting higher – for hiding the handles.

Normally, strong quality cabinets do not need extra reinforcement but if you suspect removal of the bottom may compromise integrity of the cabinet, you must compensate with extra supports for strength, such as adding pieces of wood - according to discretion.

## Installation types

### Step 1. Verify which type of installation best fits your kitchen cabinet.

There are two (2) main ways to prepare a cabinet (“A” and “B”). See these Specs on our website for Small size.

“A” – Mounted Vertical to side panels “wall-to-wall” with an open width of (18.5” inches / 47cm).

“B” – Mounted Horizontal on “bottom frame” use template to open width of (16.1” Inches / 41cm).

**“A”** Vertical Side Panels  
“Wall-to-Wall”

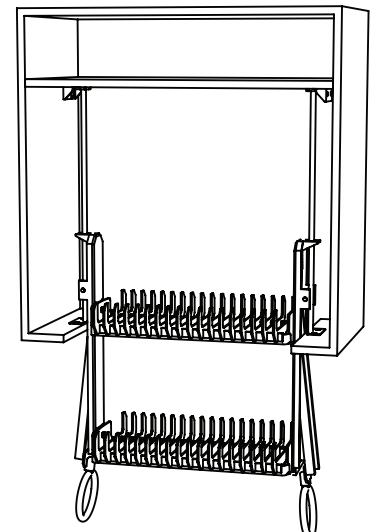
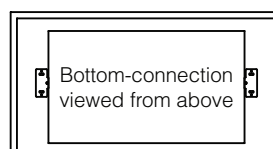
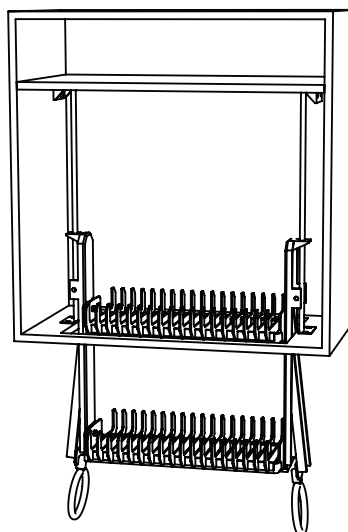
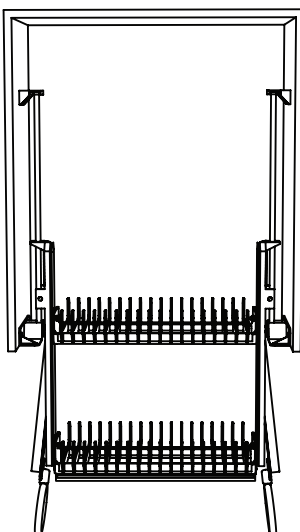
**“B”** Horizontal Top and Bottom connectors on frame

**Select / Use Bottom  
Connectors Part  
Number 6**

**Select / Use Bottom  
Connectors Part  
Number 7**

Start at Pg. 4

Skip to Pg. 6





# The Drip Dry Classic - DDC Small

## Installation type "A"

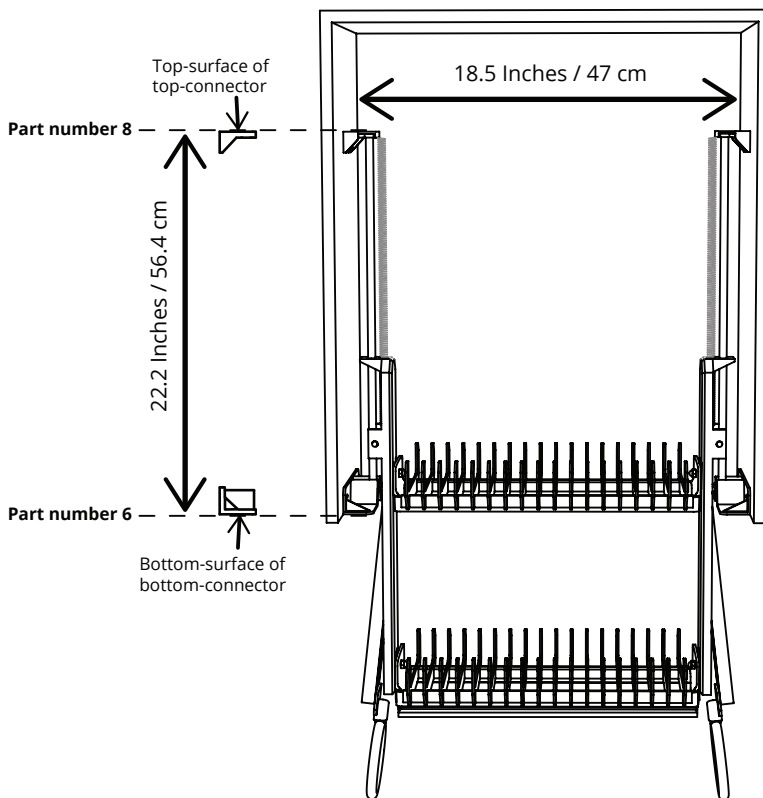
### Step 2: Prepare your cabinet:

Installation "A" : All four connectors (Parts 6 & 8) are vertical affixed directly onto the interior panels of the cabinet. The DDC fits precisely between built-in-side panel-walls (18.5 " inches / 47 cm).

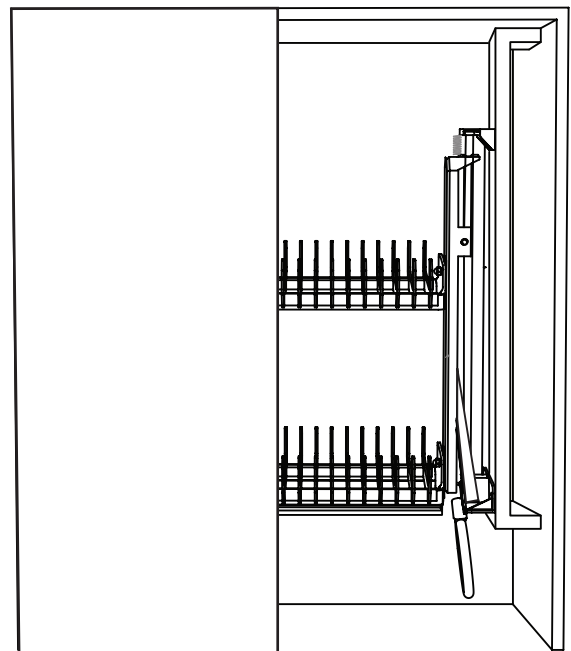
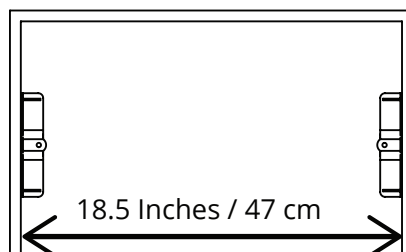
For this type of installation, the cabinet-floor (bottom-panel) is completely removed, creating a full open bottom cabinet without any protruding ledges or frame surrounding the opening in the bottom. The bottom connectors lock the arms in the lowered-position.

This is the easiest and quickest method of installation since it allows the DDC to be connected directly to the inside-walls of the cabinet without any need for installing a shelf or other anchor-point above the unit.

### Hidden handles option



Bottom-connection viewed from above

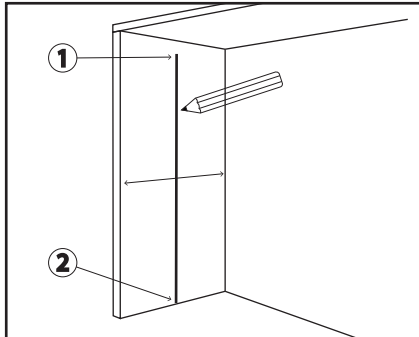


# The Drip Dry Classic - DDC Small

## Installation type "A"

### Step 3: Position bottom connectors.

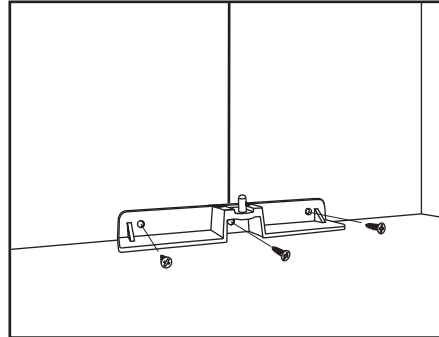
**Installation "A"** : The DDC is connected directly to the inside-walls of the cabinet.



1. Measure the interior depth inside the kitchen-cabinet and mark the centre with a pencil on the upper and lower part on the cabinet side-walls.

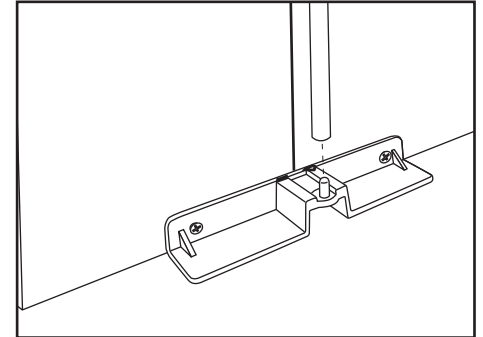
Connect the marks by drawing a vertical centre-line between them.

Use this line to easier centre the parts in depth and to align them straight above one another.



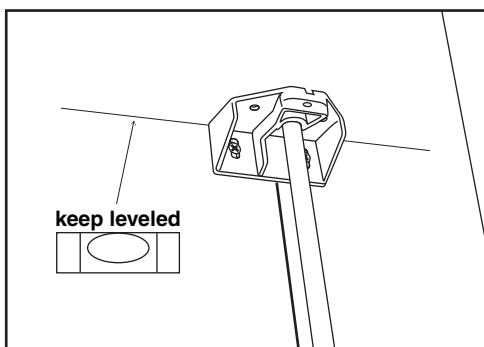
2. Position the bottom-connector flush to the bottom-edge of the cabinet-side-wall and centre it in depth. Secure it with three screws.

Don't forget the middle screw. It is vital for strength.



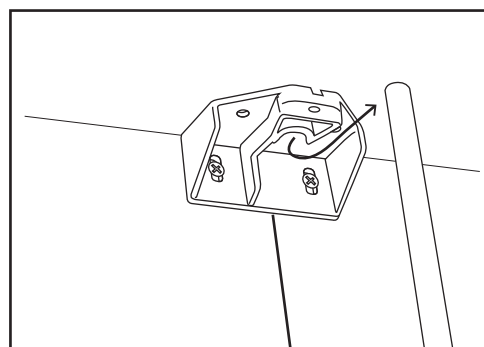
3. **You can use one of the aluminium-pipes to measure the correct height for the top-connection.**

Slide the pipe on the knob of the bottom-connection and align the pipe along the centre-line.



4. Put the Top-connector on the pipe and align it straight along the side-wall. Use a level to make sure the pipe is perfectly straight. Do not press the top-connector too tight on the pipe since it could make the pipe more difficult to remove.

Make sure that the parts are straight and properly aligned above one-another with the correct spacing. Secure the top-connector on the side-wall with screws.



5. Remove the pipes by sliding the top of the pipe side-ways out of the socket of the top-connection.

- **Go to page 10 for how to assemble the DDC and installing it inside the kitchen-cabinet.**



# The Drip Dry Classic - DDC Small

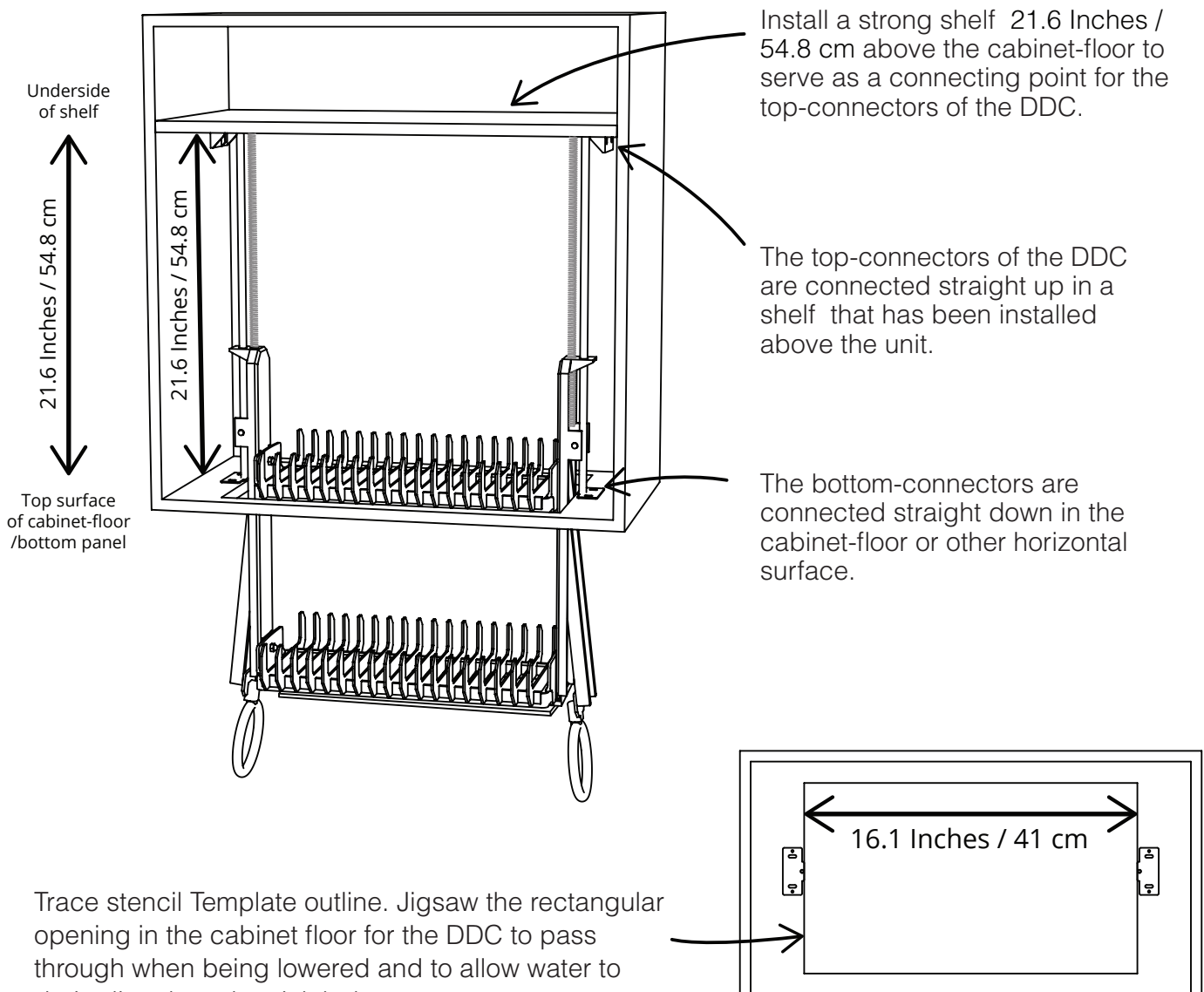
## Installation type "B"

### Step 2: Prepare the cabinet:

**Installation "B"**: Bottom connectors (Parts 7) are horizontal affixed to the cabinet's bottom floor and aligned to top connectors (Parts 8) affixed to a top shelf or other horizontal anchor-point.

For this type of installation, use the template outline which creates a precise framed area to saw out. Bottom connectors screw onto the top-surface of the cabinet-floor frame / edges. When the racks are pulled-down to the lowered position, the arms lock at the underside of the cabinet's bottom.

This installation method is **especially useful for pre-existing cabinets that are already mounted to a wall and/or to center drain racks above a sink below.**



Trace stencil Template outline. Jigsaw the rectangular opening in the cabinet floor for the DDC to pass through when being lowered and to allow water to drain directly to the sink below.

Bottom-connection viewed from above



# The Drip Dry Classic - DDC Small

## Installation type "B"

### Prepare the Cabinet continued:

Make the opening in the cabinet-floor so the DDC can be lowered below the cabinet, to allow water to drain directly to the sink below.

1. Measure the interior wall-to-wall width of your cabinet and draw a center-line on the cabinet-floor (bottom-panel), that represents the center in width of the cabinet, (or centered above the sink if overhead cabinet is not aligned).

2. Measure the interior depth of your cabinet from the back-panel to the front-edge of the cabinet-floor and draw a center-line on the cabinet-floor that represents the center of depth of the cabinet. See **illustration number 1**.

### TEMPLATE for the DDC

Use the template supplied in the package to mark the position and the width of the opening in the cabinet-floor according to the instruction below :

### IMPORTANT !

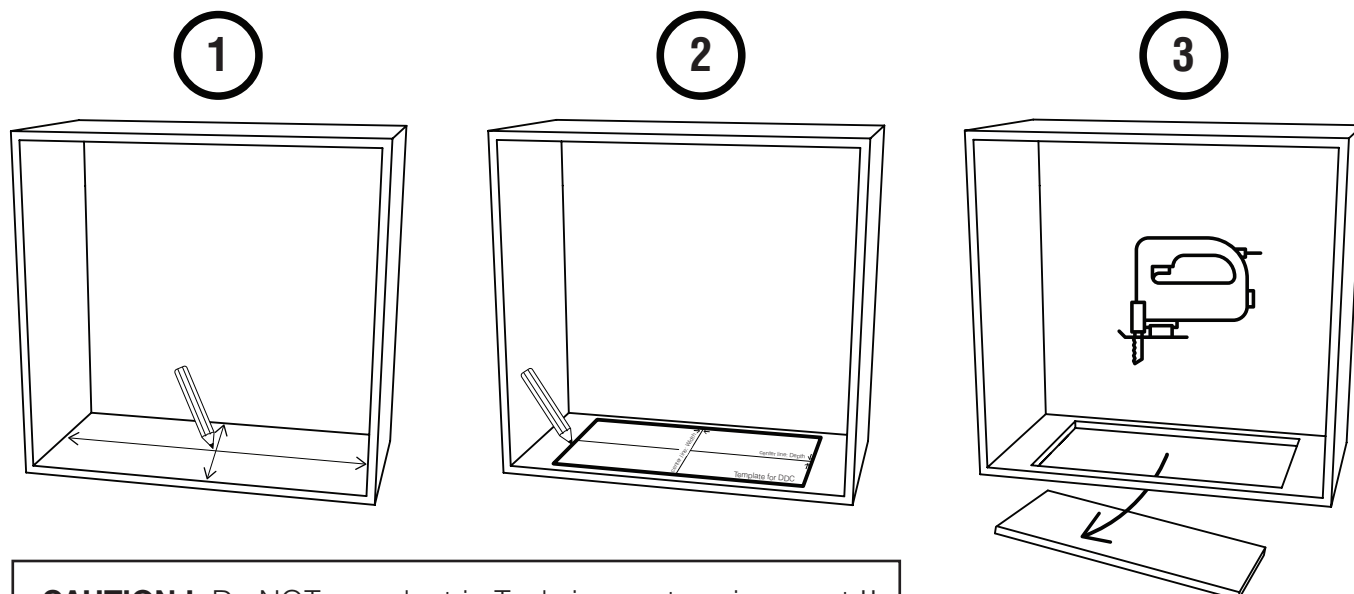
**Width of opening:** The Width of the rectangular hole **MUST** be the **SAME** as the template.

**Depth of opening:** You can choose the inward depth freely depending on how deep the cabinet is from front-to-back, however we recommend at least 10.6 Inches = about 27 cm . More is better since it will allow bigger dinner-plates and dishes to pass through the opening.

3. Place the template on the cabinet-floor and centre the template in width and depth by aligning the center-lines that are printed on the template with the 2 center-lines you just drew on the cabinet-floor.

4. Trace around the template with a pen. You can staple the template in place to prevent it from moving if you intend to remove the complete surface that is covered by the template. See **illustration number 2**.

5. Remove the template and cut out the area inside the rectangle that was covered by the template. See **illustration number 3**.



**CAUTION !** Do NOT use electric Tools in a wet environment !!

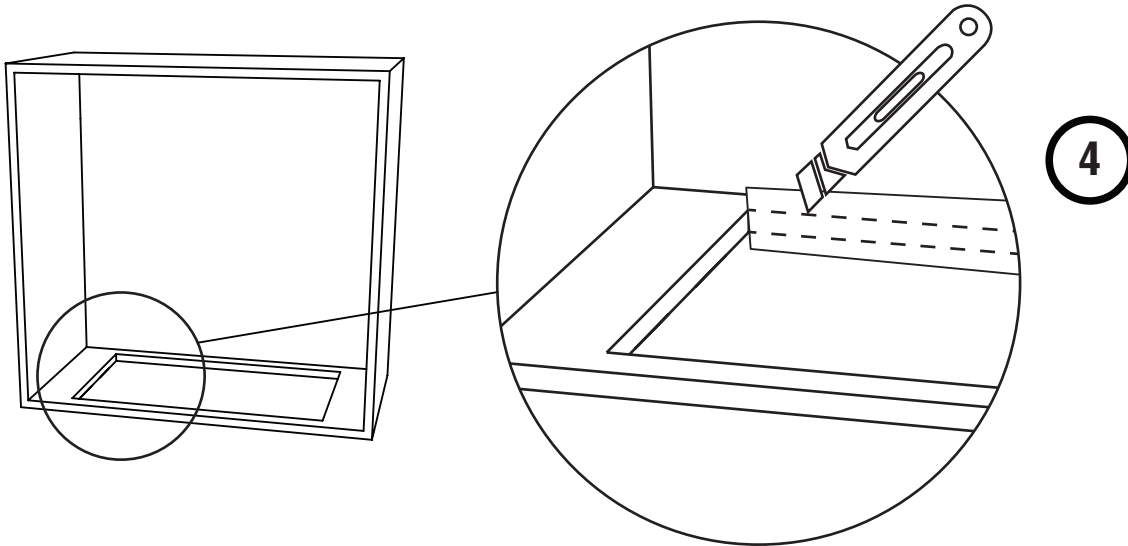


# The Drip Dry Classic - DDC Small

## Installation type "B"

### Prepare the Cabinet continued:

6. Line the cut-out framed edges of the wood-panels with the edge-tape included in the kit by using a heated house-hold iron. Trim off the excess with a blade of a planer or a sharp knife. See **illustration number 4**.

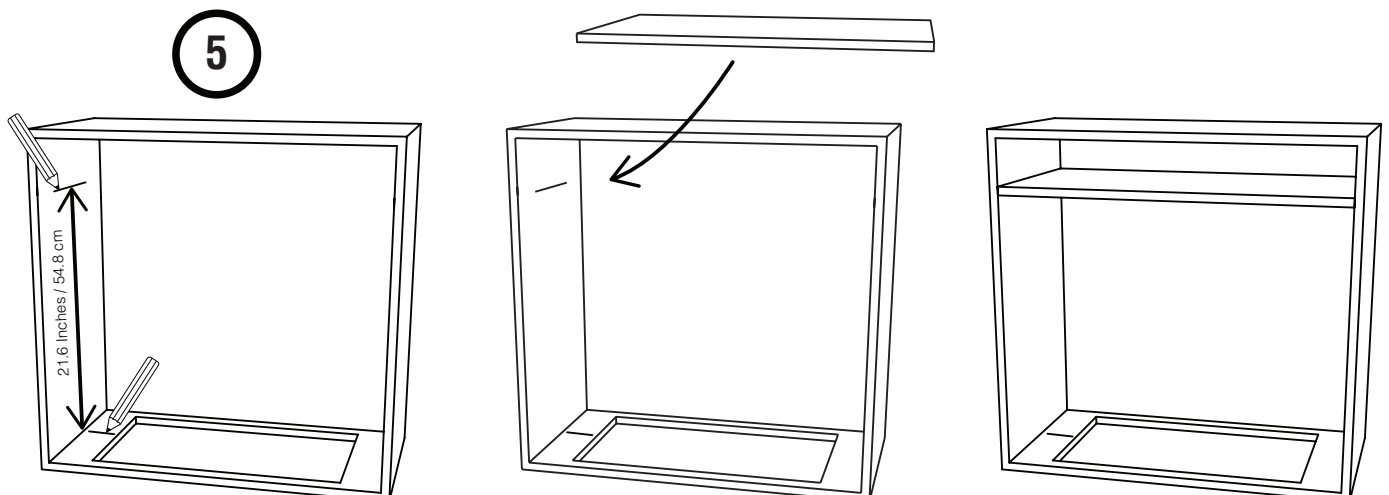


Create a strong anchor-point for the top-connectors above the DDC : Install a sturdy wooden-shelf or other strong horizontal surface 21.6 Inches / 54.8 cm above the bottom-panel to serve as a connecting-point for the top-connectors of the DDC.

7. Measure 21.6 Inches / 54.8 cm from the bottom-panel straight up along the side-panels and make a mark with a pencil as shown in **illustration number 5**. This represents the installation height for the bottom surface of the wooden-shelf.

8. Repeat this procedure on both sides.

9. Install the wooden-shelf so that the under-side of the shelf is aligned flush with the marks you just made on the side-walls.



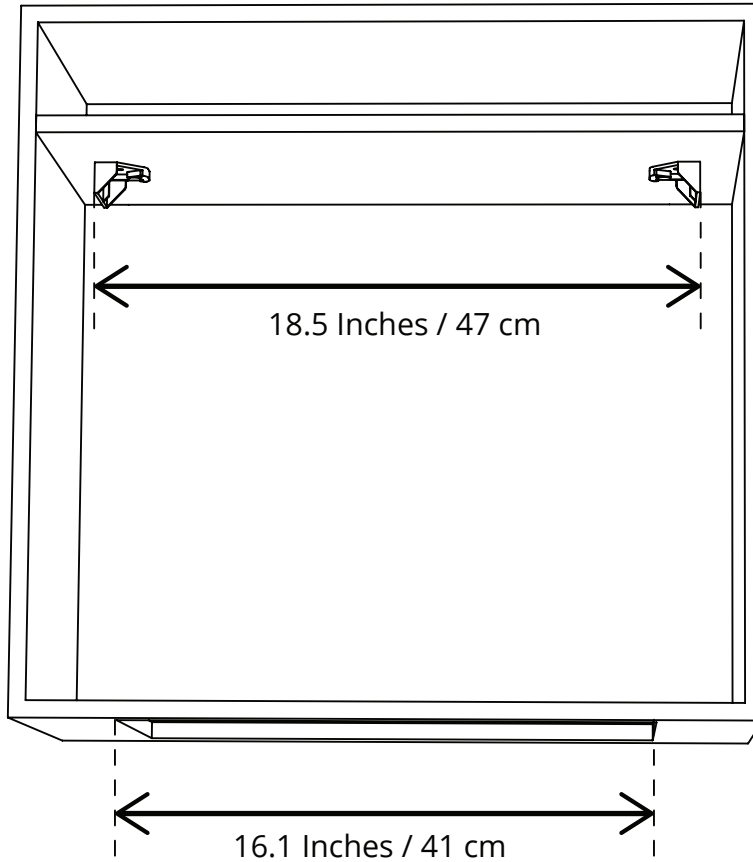




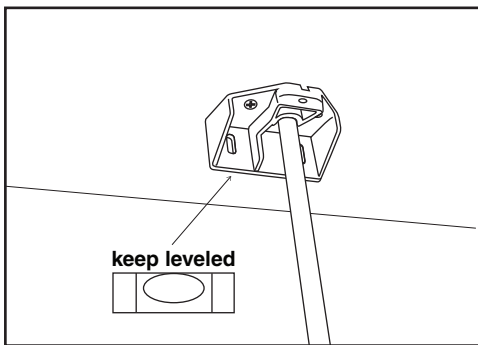
# The Drip Dry Classic - DDC Small

## Installation type "B"

### Step 3: Install the Connectors:



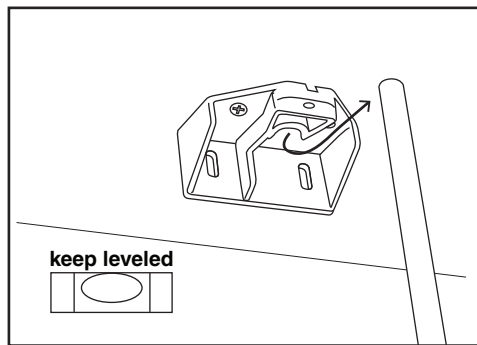
The width between top-connectors, measured between the outer edges of each top-connector from left to right is (18.5" inches / 47 cm). The template opening is (16.1" inches / 41 cm).



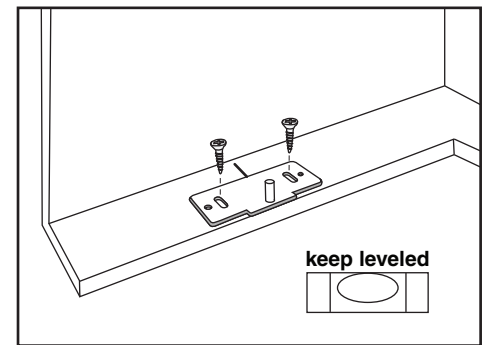
Put the Top-connector on the pipe and align it straight along the side-wall. Use a level to make sure the pipe is perfectly straight. Do not press the top-connector too tight on the pipe since it could make the pipe more difficult to remove.

Make sure that the parts are straight and properly aligned above one-another with the correct spacing.

Secure the top-connector on the underside of the top shelf or top anchor-points with screws.



Remove the pipes by sliding the top of the pipe side-ways out of the socket of the top-connection.



The bottom-connectors for frame-based installation are positioned flat on each short-side of the frame, flush to the edge and centered in depth. Secure the connectors with screws.

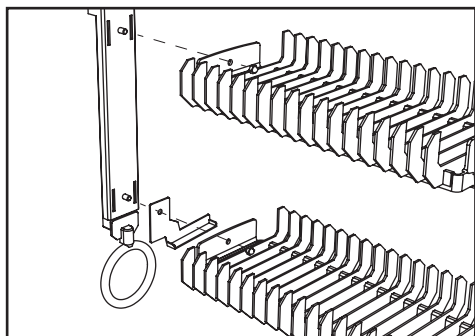


# The Drip Dry Classic - DDC Small

## Installing the DDC unit inside the kitchen-cabinet

This instruction is the same for all installation-configurations described in this manual and applies to both Type A and Type B installation

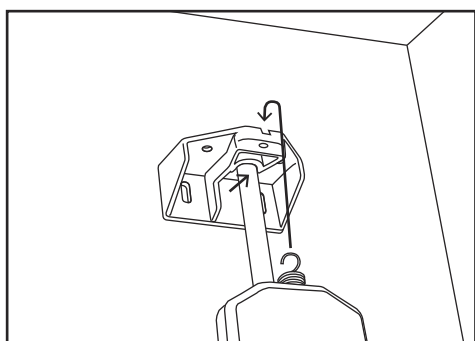
### Assembly :



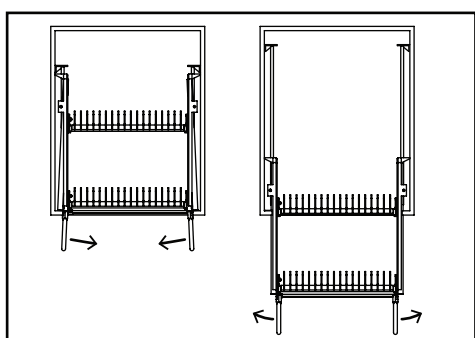
1. The left and right connectors for the Drip-Tray are sandwiched between the arms and the lower rack on the protruding screws.

2. Connect the arms to the racks with the nuts.

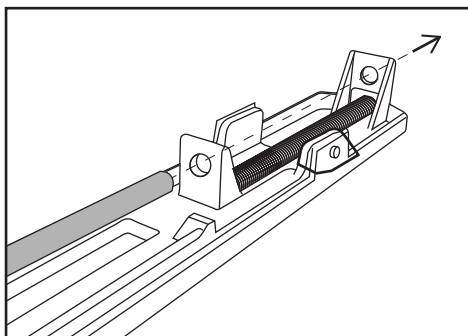
- Do not over tighten the nuts since this may crack the plastic.



5. Straighten up the Drip-Dry and secure the top-end of the pipes in the top-connectors by pressing them side-ways into the sockets.

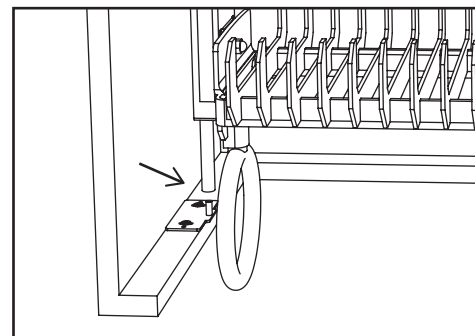


### Installing the unit inside the cabinet :



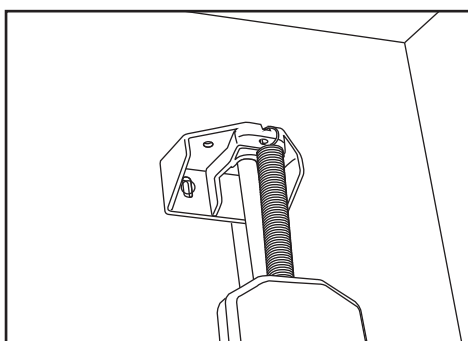
1. Insert the two aluminium-pipes in the guide-holes on the arms of the Drip-dry.

2. Hold the Drip-Dry by grabbing the arms of the unit including the pipes with your hands.

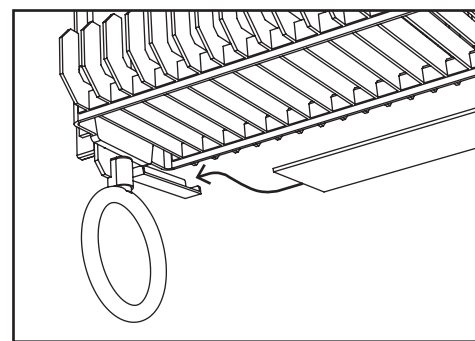


3. Tilt the upper part of the Drip-Dry slightly towards you.

4. Insert the bottom-part of the Drip-Dry first in the cabinet and slide the bottom-ends of the aluminium-pipes on-top of the knobs of the bottom-connectors.



6. Attach the springs to the top-connectors.



7. Peel off the protective film on the drip-tray and insert the tray on the holders under the bottom-rack.

### To unlock- the Drip-Dry :

Push the handles inwards towards the centre of the Drip-Dry to release it. When the handles are held in this position the Drip-Dry can be lowered or elevated.

### To lock the Drip-Dry in upper or lowered position :

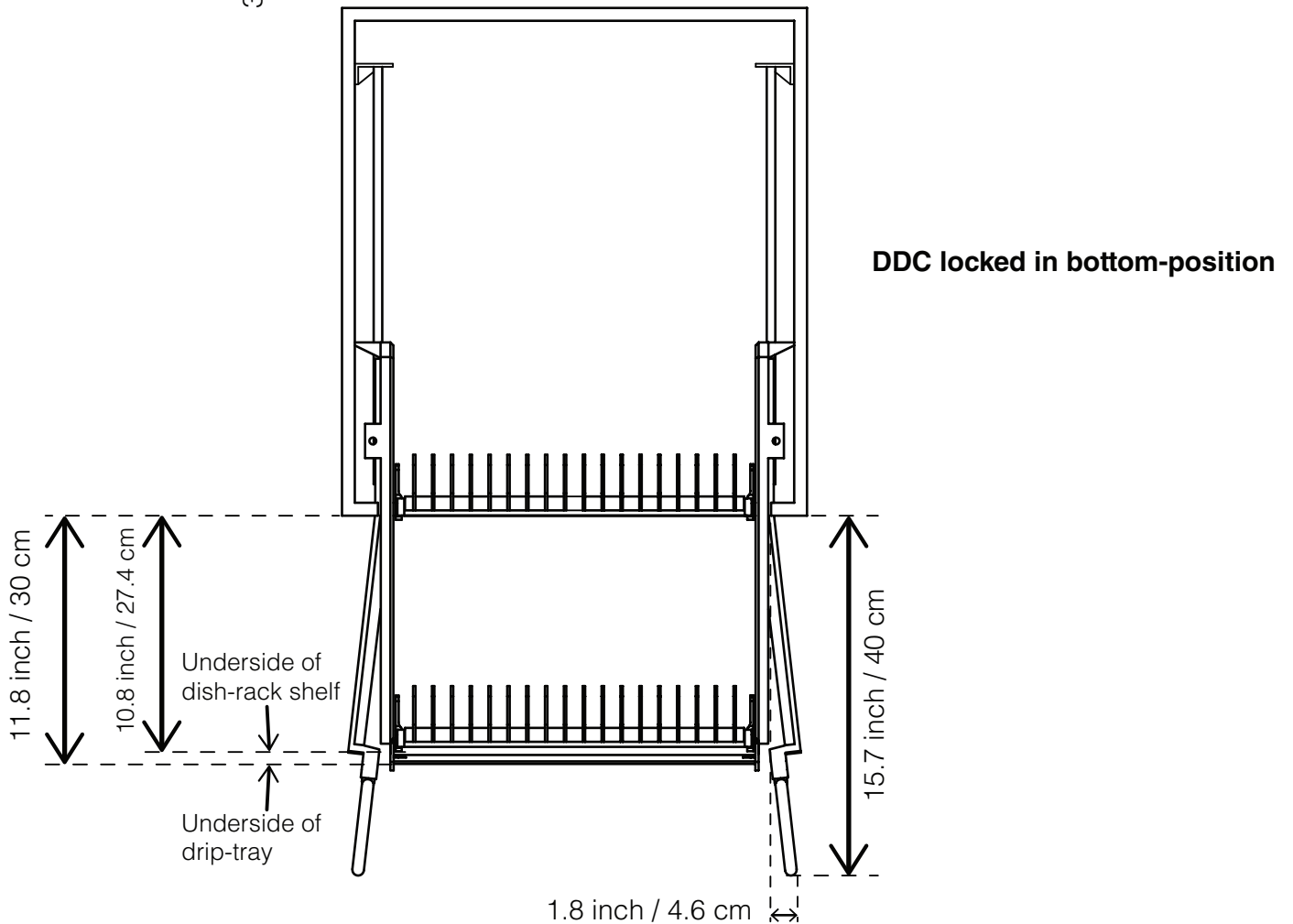
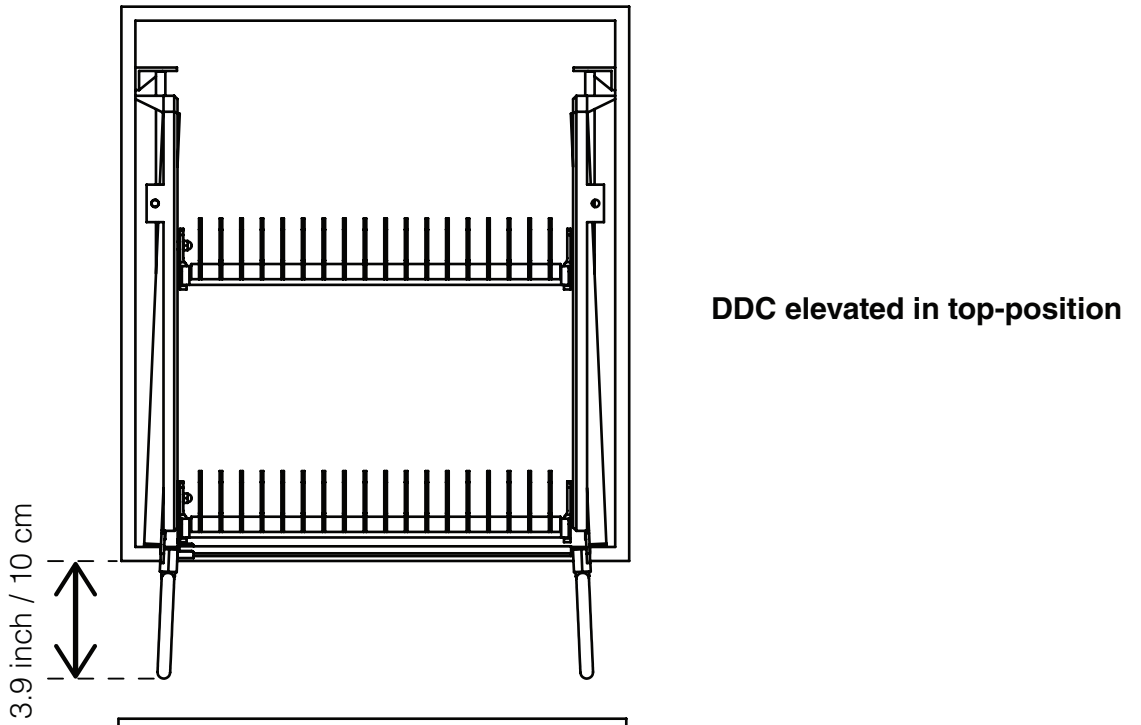
Pull the handles "apart" outwards towards the sides of the cabinet to lock the Drip-Dry. Do not release the handles until you are sure that the Drip-Dry is secured in its correct position.



# The Drip Dry Classic - DDC Small

## General measurements

Illustrations showing how the DDC protrudes under the kitchen-cabinet

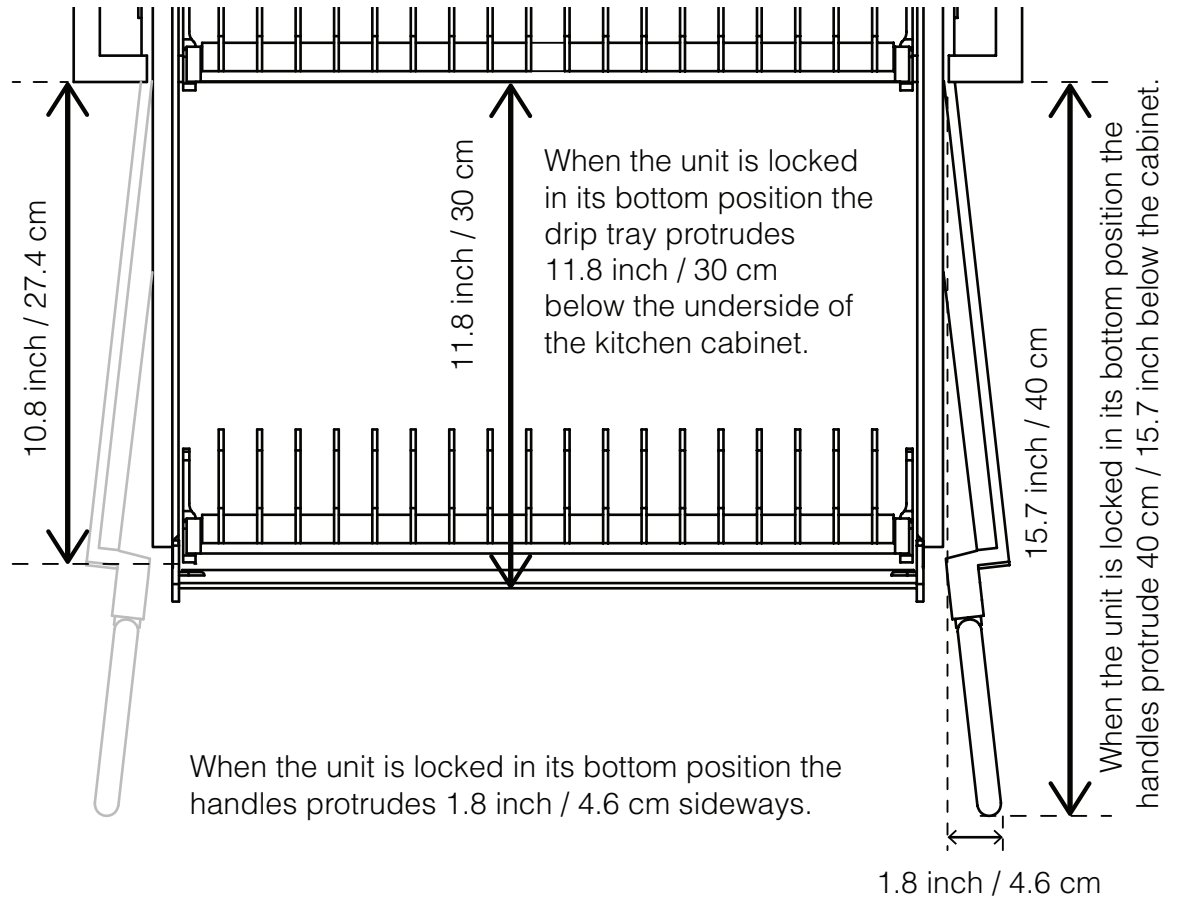




# The Drip Dry Classic - DDC Small

## General measurements

**Illustrations showing how the DDC protrudes under the kitchen-cabinet when the unit is locked in it's bottom position**



### IMPORTANT !

- Please be advised that these are basic-net measurements and some deviations may occur for different installation configurations and cabinet-constructions like differences in panel thickness between different cabinets.
- We recommend having at least 3/4" inch / 2 cm of extra space as a minimum safety-margin above any protruding objects that can interfere with the DDC when the unit is pulled-down.
- Please take in to account that the DDC usually is pulled down slightly below the locking height before the unit is locked.
- Tip: Very high kitchen-taps / faucets can usually be turned to the side before operating the DDC to avoid obstruction if necessary.
- Always aim to distribute the loading-weight (dishes) evenly on the racks to keep the unit balanced and easier to operate.
- Do NOT over-load the unit. Keep the loading weight within the comfort-range of 13 lbs / 6 Kg.
- Never use a broken unit.
- Contact customer service for help.